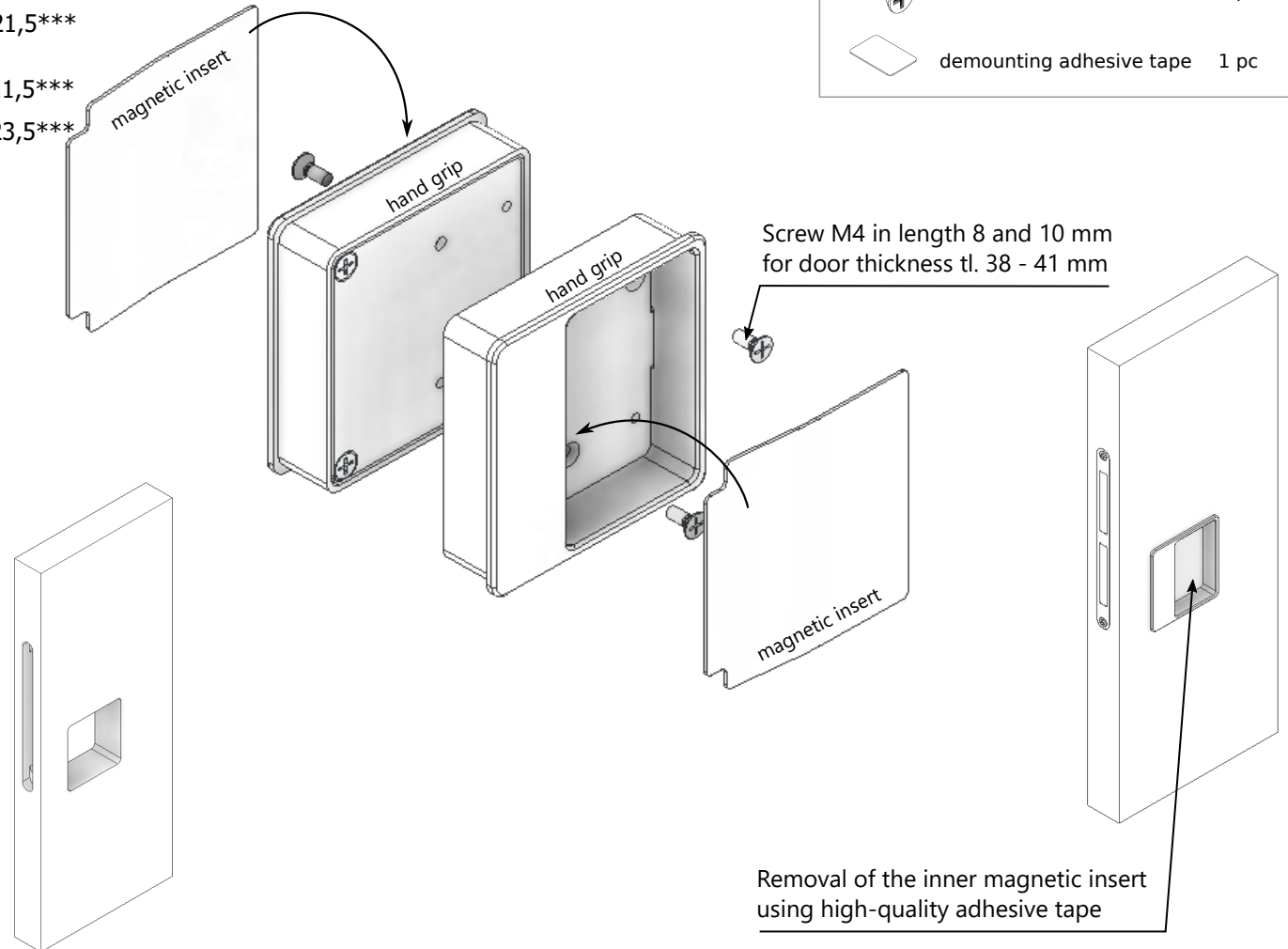
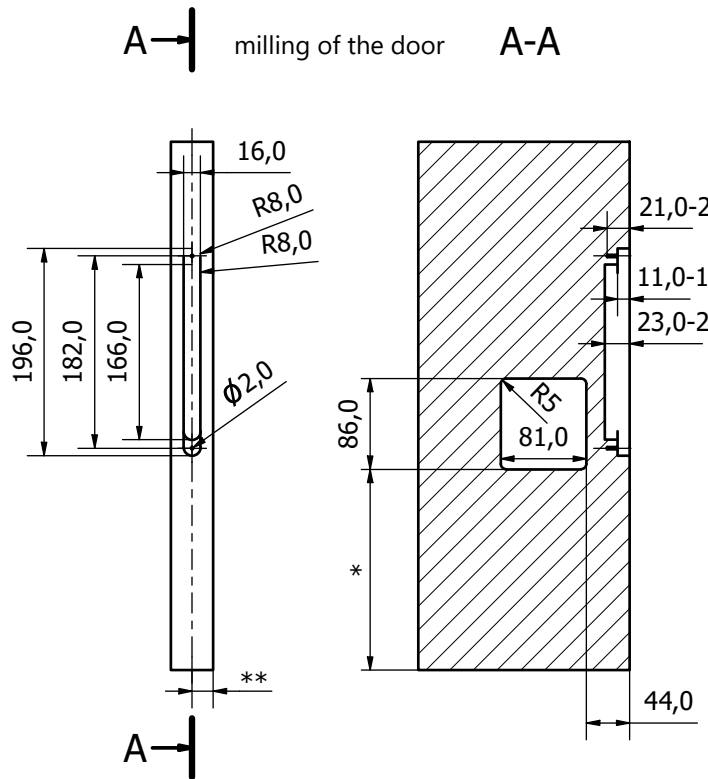


MOUNTING HAND GRIP JOO

component	quantity
hand grip Jo! body	2 pcs
magnetic insert	2 pcs
screw M4x8 mm	4 pcs
screw M4x10 mm	4 pcs
demounting adhesive tape	1 pc



* according to the door manufacturer's custom
 ** fitting / positioning of the Magnetic block in the door must be solved following the seating of the Magnetic in the door frame
 *** placing of the magnetic block face according to the door manufacturer's custom