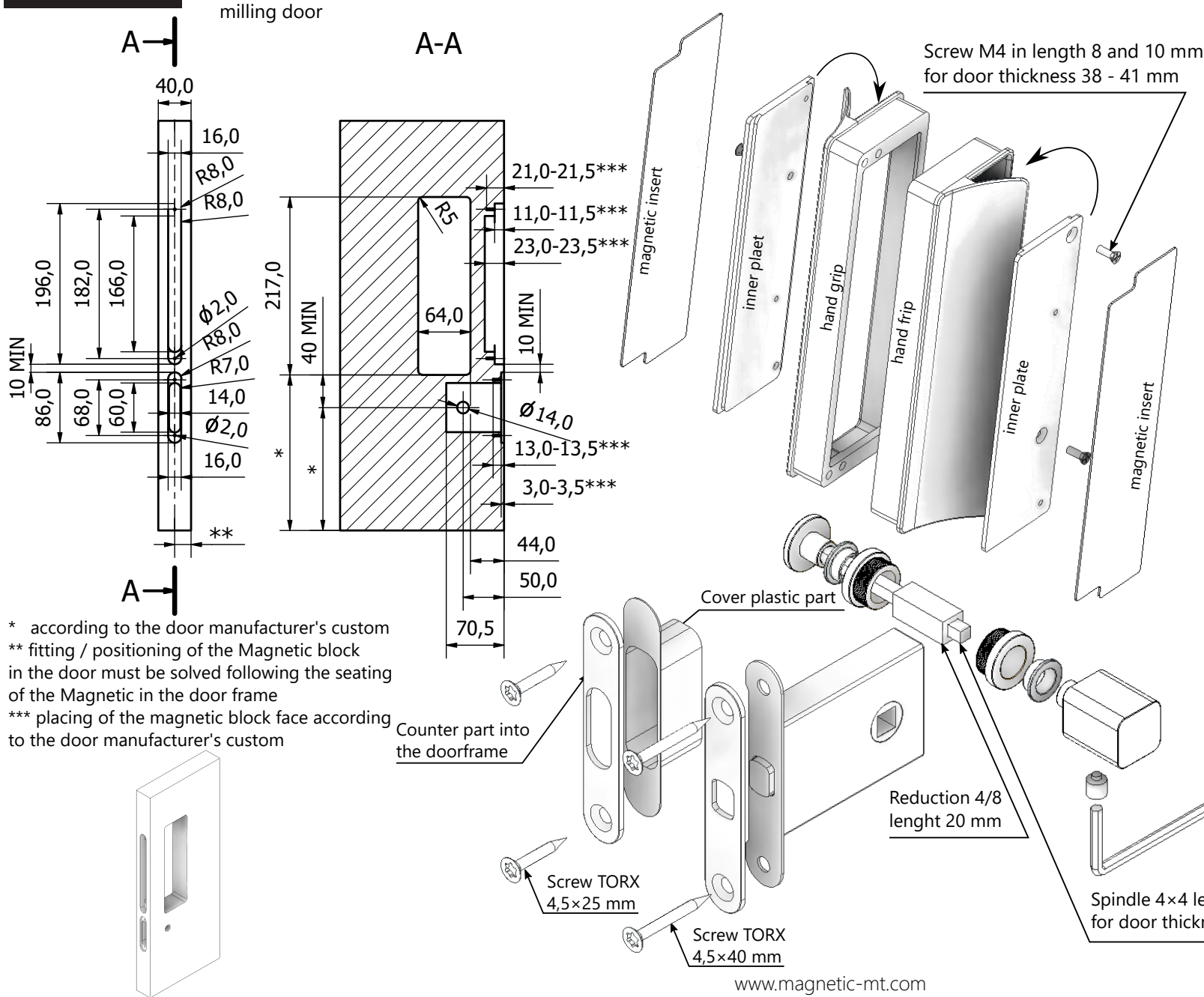




MOUNTING HAND GRIP KONZERVA 220 WC



* according to the door manufacturer's custom
 ** fitting / positioning of the Magnetic block in the door must be solved following the seating of the Magnetic in the door frame
 *** placing of the magnetic block face according to the door manufacturer's custom

component	quantity
hand grip Konzerva 220	2 pcs
inner plate	2 pcs
magnetic insert	2 pcs
screw M4x8 mm	4 pcs
screw M4x10 mm	4 pcs
demounting adhesive tape	1 pc

Removal of the inner magnetic insert using high-quality adhesive tape

