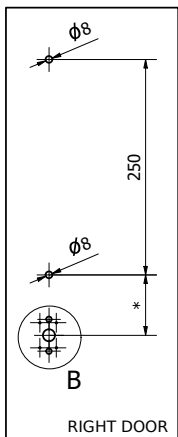
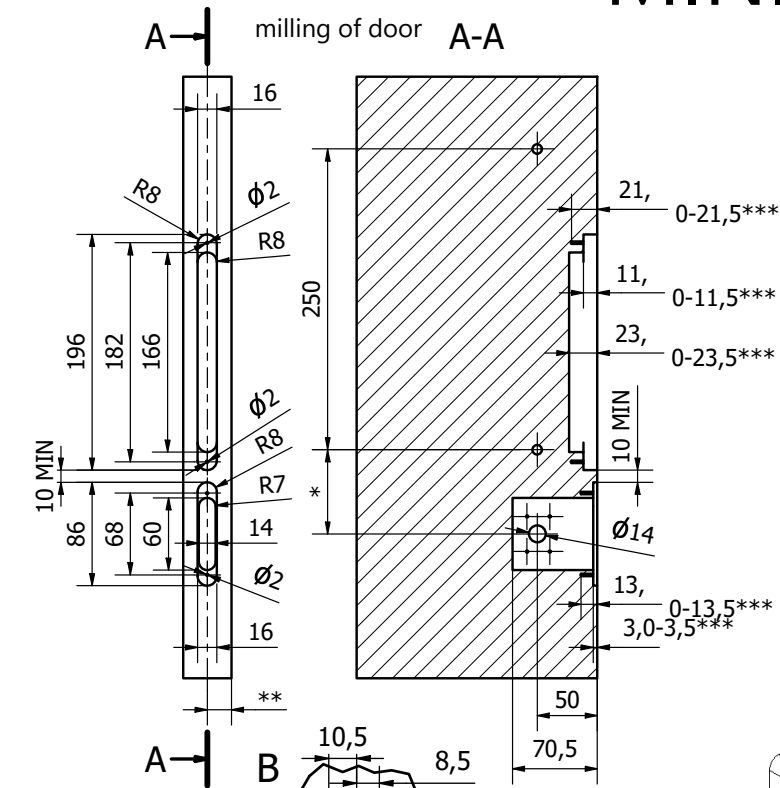


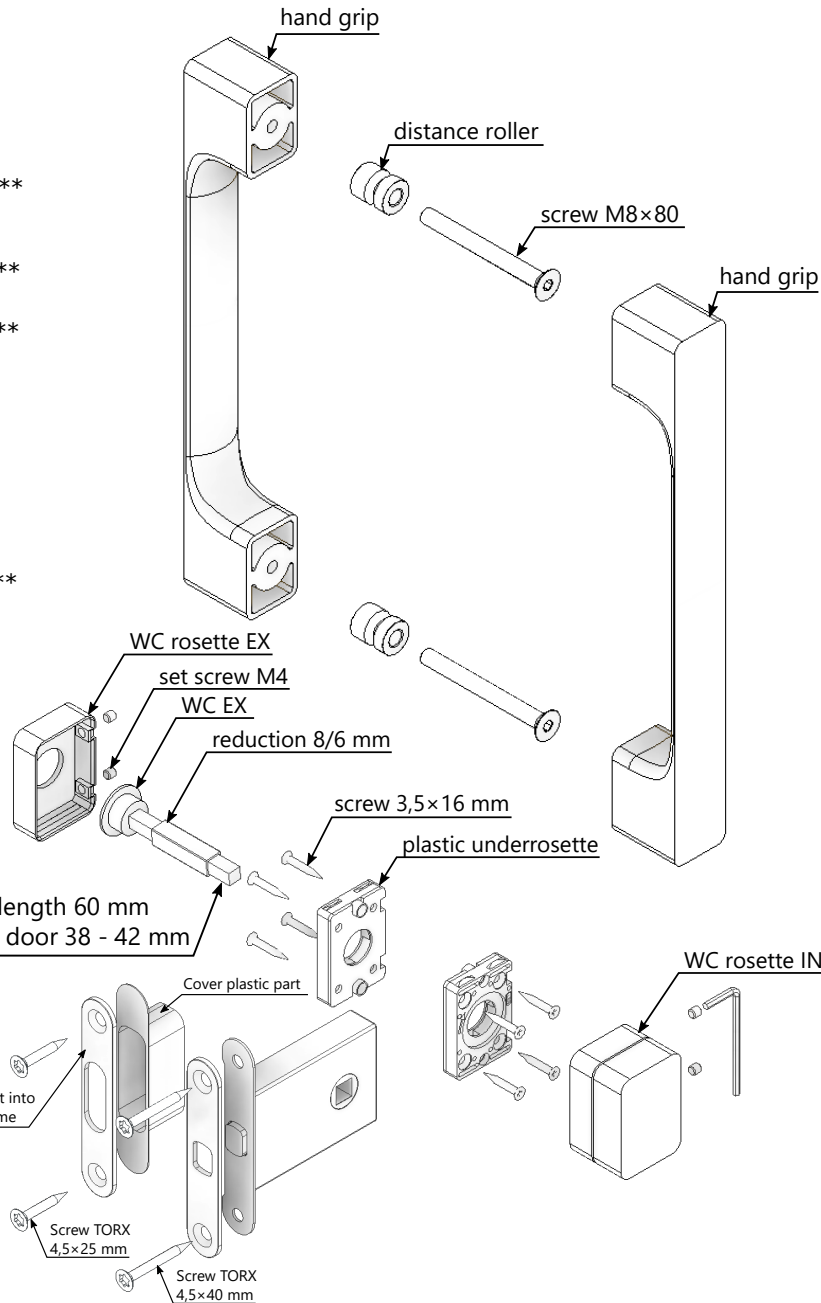


# MOUNTING HAND GRIP MINIMAL/MAXIMAL WC



\* according to the door manufacturer's custom  
 \*\* fitting / positioning of the Magnetic block in the door must be solved following the seating of the Magnetic in the doorframe  
 \*\*\* placing of the magnetic block face according to the door manufacturer's custom

www.magnetic-mt.com



component	quantity
hand grip Minimal/Maximal	2 pcs
distance roller	2 pcs
screw M8x80 mm	2 pcs
set screw M6x8 mm	2 pcs
allen key 3 mm	1 pc
WC rosette Minimal/Maximal IN	1 pc
WC rosette Minimal/Maximal EX	1 pc
WC Minimal/Maximal EX	1 pc
plastic underrosette	2 pcs
spindle 6x6 mm	1 pc
reduction 8/6 length 30 mm	1 pc
screw 3,5x16 mm	8 pcs
set screw M4x4 mm	4 pcs
allen key 2 mm	1 pc

