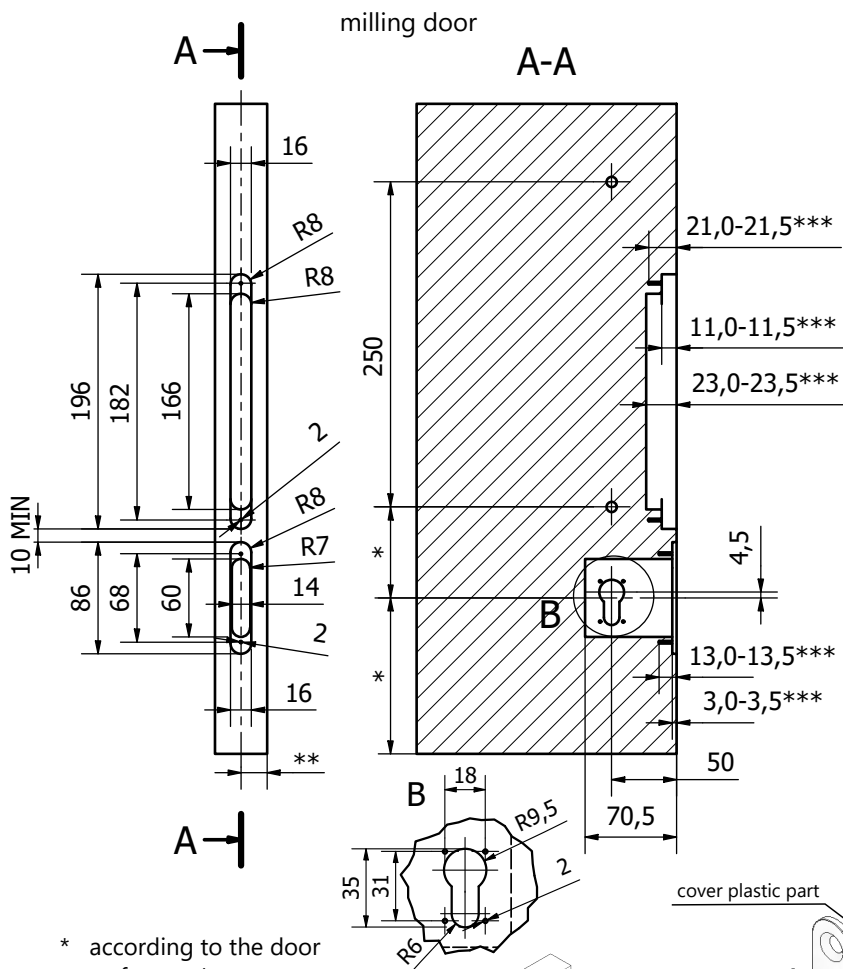
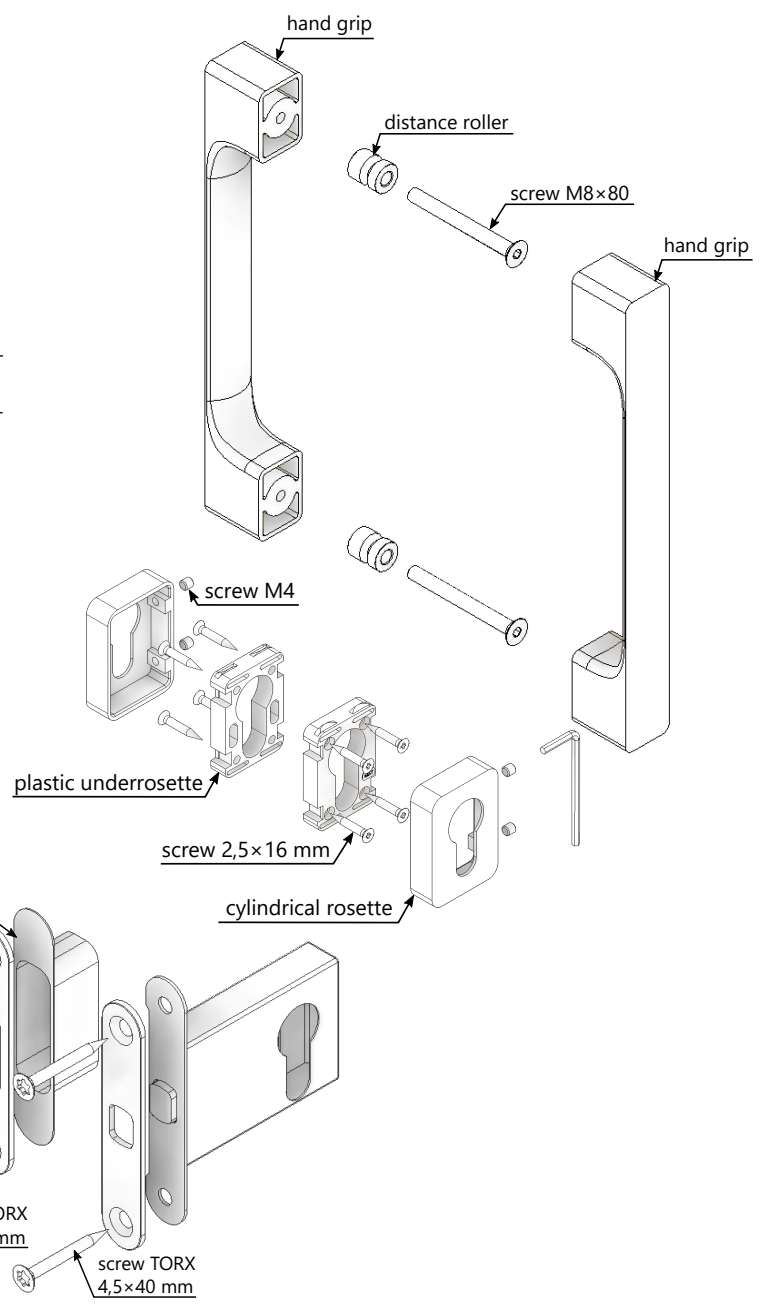




MOUNTING HAND GRIP MINIMAL/MAXIMAL CYLINDRICAL



* according to the door manufacturer's custom
 ** fitting / positioning of the Magnetic block in the door must be solved following the seating of the Magnetic in the doorframe
 *** placing of the magnetic block face according to the door manufacturer's custom



component	quantity
hand grip Minimal/Maximal	2 ks
distance roller	2 ks
screw M8x80 mm	2 ks
screw M6x8 mm	2 ks
allen key 3 mm	1 ks
cylindrical rosette	2 ks
plastic underrosette	2 ks
screw 2,5x16 mm	8 ks
set screw M4x4 mm	4 ks
allen key 2 mm	1 ks

