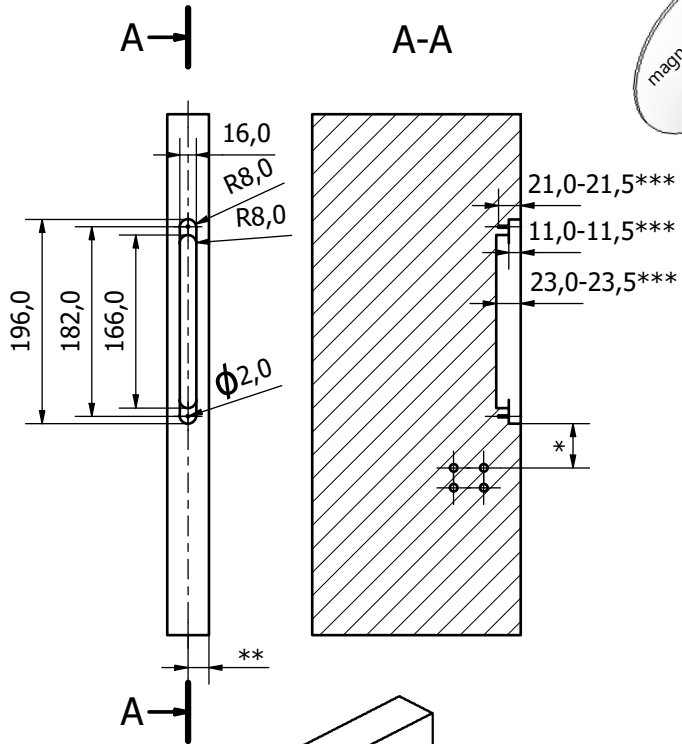
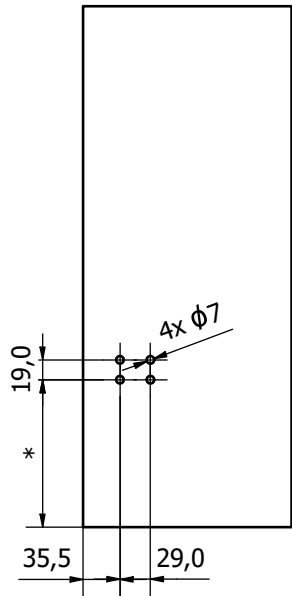
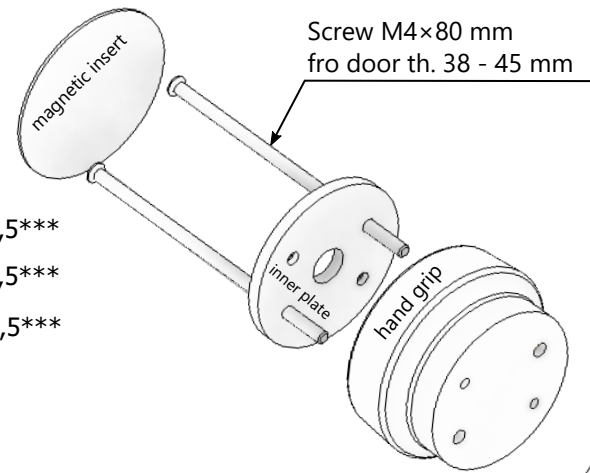
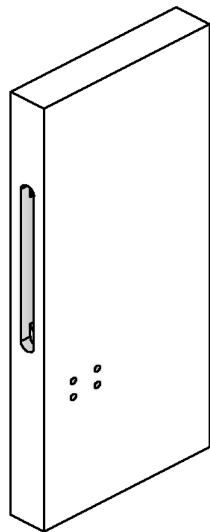


MOUNTING HAND GRIP OKO

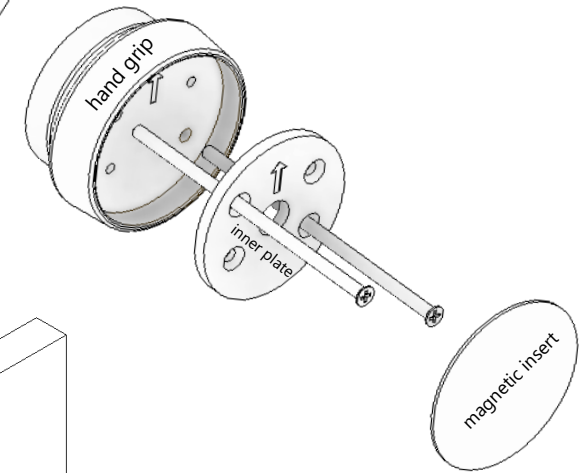
milling of the door



* according to the door manufacturer's custom
 ** fitting / positioning of the Magnetic block in the door must be solved following the seating of the Magnetic in the doorframe
 *** placing of the magnetic block face according to the door manufacturer's custom



component	quantity
hand grip Oko	2 pcs
inner plate	2 pcs
magnetic insert	2 pcs
screw M4x80 mm	4 pcs
demounting adhesive tape	1 pc



Removal of the inner magnetic insert using high-quality adhesive tape