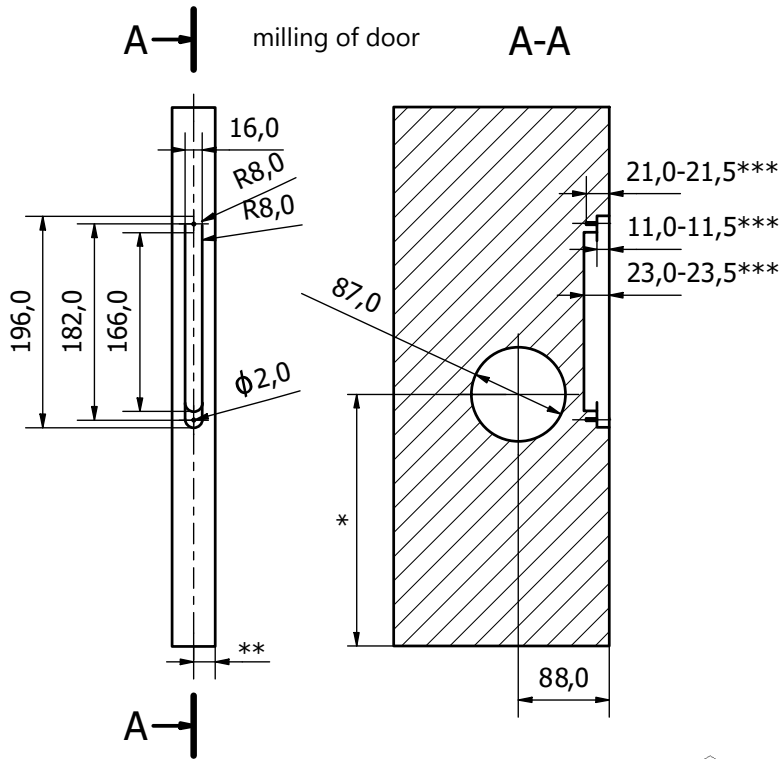
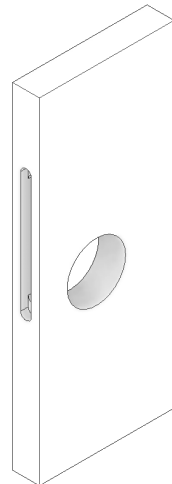


MOUNTING HAND GRIP UFF



component	quantity
hand grip Uff! body	2 pcs
inner plate	2 pcs
magnetic insert	2 pcs
screw M4x8 mm	4 pcs
screw M4x10 mm	4 pcs
demounting adhesive tape	1 pc

* according to the door manufacturer's custom
 ** fitting / positioning of the Magnetic block in the door must be solved following the seating of the Magnetic in the doorframe
 *** placing of the magnetic block face according to the door manufacturer's custom



screws M4 in length 8 and 10 mm for door thickness. 38 - 41 mm - 4 pcs

Removal of the inner magnetic insert using high-quality adhesive tape