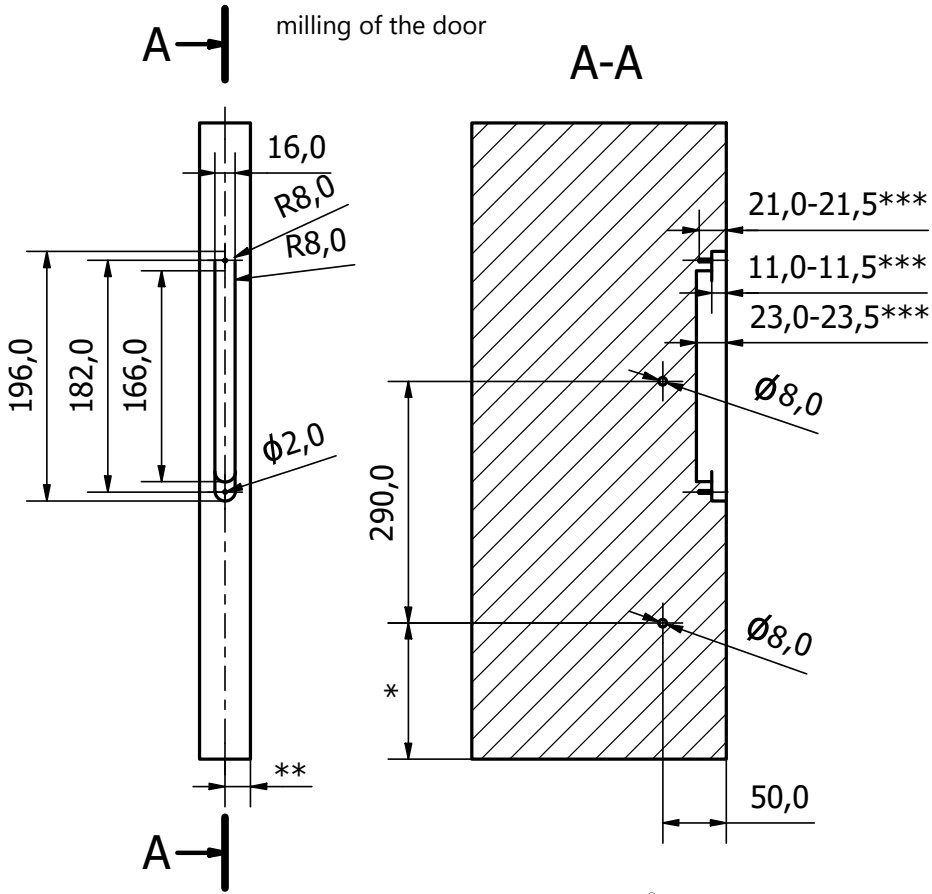
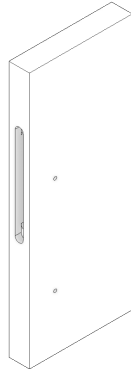




MOUNTING HAND GRIP YES! 310



* according to the door manufacturer's custom
 ** fitting / positioning of the Magnetic block in the door must be solved following the seating of the Magnetic in the door frame
 *** placing of the magnetic block face according to the door manufacturer's custom



component	quantity
 hand grip Yes! IN	1 pc
 hand grip Yes! EX	1 pc
 screw M5x90 mm (screw M5x100 mm)	2 pcs

